

COMPLA

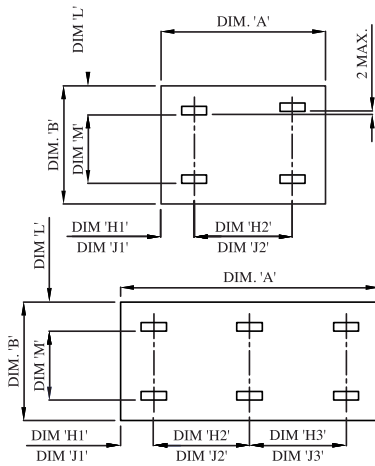
The Compla radiator is a panel radiator with a perfectly flat front to fit into a sleek modern interior. The radiators come fitted with grilles and side panels and have all the features and technological benefits of our Hi-Lo Compact radiators so they're easy to install and easy to maintain for any installer and homeowner. The discrete flat panel has a robust finish and comes in a variety of sizes and types to suit any home. The flat front can also be over-painted if necessary to fit into any interior décor.



Key performance features and benefits:

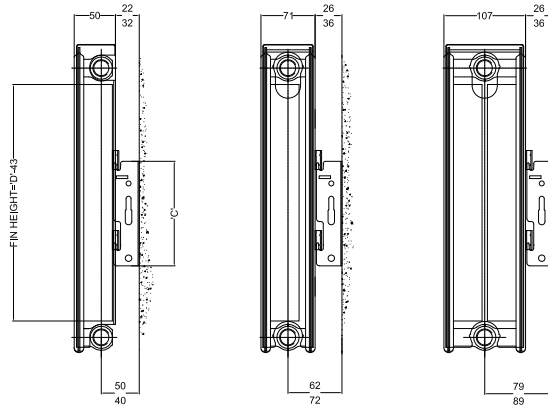
-  ★★★★★
-  ★★★★★☆
-  ★★★★★☆
-  ★★★★★

Actual Dimensions



Note: Dimensions H1, H2 and H3 refer to the lugs on Double Panel Plus and Double Convector radiators. Dimensions J1, J2 and J3 refer to the lugs on Single Convector Radiators.

Mounting Details



Single Convector

Double Panel Plus

Double Convector

Mounting Details

	400	500	600	700
Radiator Height 'B'	400	500	600	700
Bracket Lug Heights 'M'	205	305	405	505
Connection Centres 'D'	353	453	553	653
Bracket Length 'C'	237	337	437	537
Top of Radiator to bottom of top lug 'L'	110	110	110	110
Bracket to top of radiator	100	100	100	100

Bracket Lug Locations

Radiator Length (mm)	300	400	500	600	700	800	900	1000	1100	1200	1300	1400	1500	1600	1800	2000
A	295	395	495	595	695	795	895	995	1095	1195	1295	1395	1495	1595	1795	1995
H1	72.5	122.5	122.5	122.5	122.5	122.5	122.5	122.5	122.5	122.5	122.5	122.5	122.5	122.5	122.5	122.5
J1	85	135	160	160	160	160	160	160	160	160	160	160	160	160	160	160
H2	150	150	250	350	450	550	650	750	850	950	1050	1150	1250	1350	775	875
J2	125	125	175	275	375	475	575	675	775	875	975	1075	1175	1275	750	850
H3															775	875
J3															725	825
Qty	4	4	4	4	4	4	4	4	4	4	4	4	4	4	6	6

Water Content

Height	400mm (16")	500mm (20")	600mm (24")	700mm (28")
Litres/Metre				
Single Convector	2.24	2.67	3.10	3.53
Double Panel Plus	4.10	5.10	6.10	7.12
Double Convector	4.10	5.10	6.10	7.12

Radiator Dry Weight

Height	400mm (16")	500mm (20")	600mm (24")	700mm (28")
kgs/Metre				
Single Convector	16.00	20.00	24.00	28.40
Double Panel Plus	23.60	29.20	34.80	40.80
Double Convector	28.00	34.80	42.00	49.20

All panel radiators can be produced in lengths of up to 3000mm long. Please contact the Sales Office for more information.



Nominal	Length		Single Connector			Double Panel Plus			Double Connector		
Height	mm	inch	Code	BTU/hr	Watts	Code	BTU/hr	Watts	Code	BTU/hr	Watts
400mm 16"	400	16	Q11404PL	863	253	Q21404PL	1275	374	Q22404PL	1712	502
	600	24	Q11406PL	1294	379	Q21406PL	1913	560	Q22406PL	2568	752
	800	31	Q11408PL	1726	506	Q21408PL	2550	747	Q22408PL	3424	1003
	1000	39	Q11410PL	2157	632	Q21410PL	3188	934	Q22410PL	4280	1254
	1200	47	Q11412PL	2588	758	Q21412PL	3825	1121	Q22412PL	5136	1505
	1400	55	Q11414PL	3020	885	Q21414PL	4463	1308	Q22414PL	5992	1756
	1600	63	Q11416PL	3451	1011	Q21416PL	5100	1494	Q22416PL	6848	2006
	1800	71	Q11418PL	3883	1138	Q21418PL	5738	1681	Q22418PL	7704	2257
2000	79	Q11420PL	4314	1264	Q21420PL	6375	1868	Q22420PL	8560	2508	

Nominal	Length		Single Connector			Double Panel Plus			Double Connector		
Height	mm	inch	Code	BTU/hr	Watts	Code	BTU/hr	Watts	Code	BTU/hr	Watts
500mm 20"	400	16	Q11504PL	1023	300	Q21504PL	1526	447	Q22504PL	2053	602
	600	24	Q11506PL	1534	449	Q21506PL	2289	671	Q22506PL	3080	902
	800	31	Q11508PL	2045	599	Q21508PL	3053	894	Q22508PL	4107	1203
	1000	39	Q11510PL	2556	749	Q21510PL	3816	1118	Q22510PL	5133	1504
	1200	47	Q11512PL	3068	899	Q21512PL	4579	1342	Q22512PL	6160	1805
	1400	55	Q11514PL	3579	1049	Q21514PL	5342	1565	Q22514PL	7186	2106
	1600	63	Q11516PL	4090	1198	Q21516PL	6105	1789	Q22516PL	8213	2406
	2000	79	Q11520PL	5113	1498	Q21520PL	7631	2236	Q22520PL	10266	3008

All outputs quoted are based on a Delta T of 50°C.



Nominal Height	Length		Single Convector			Double Panel Plus			Double Convector		
	mm	inch	Code	BTU/hr	Watts	Code	BTU/hr	Watts	Code	BTU/hr	Watts
600mm 24"	400	16	Q11604PL	1180	346	Q21604PL	1761	516	Q22604PL	2374	696
	600	24	Q11606PL	1769	518	Q21606PL	2642	774	Q22606PL	3561	1043
	800	31	Q11608PL	2359	691	Q21608PL	3522	1032	Q22608PL	4748	1391
	1000	39	Q11610PL	2949	864	Q21610PL	4403	1290	Q22610PL	5935	1739
	1200	47	Q11612PL	3539	1037	Q21612PL	5283	1548	Q22612PL	7122	2087
	1400	55	Q11614PL	4128	1210	Q21614PL	6164	1806	Q22614PL	8309	2435
	1600	63	Q11616PL	4718	1382	Q21616PL	7044	2064	Q22616PL	9496	2782
	1800	71	Q11618PL	5308	1555	Q21618PL	7925	2322	Q22618PL	10683	3130
	2000	79	Q11620PL	5898	1728	Q21620PL	8806	2580	Q22620PL	11870	3478

Nominal Height	Length		Single Convector			Double Panel Plus			Double Convector		
	mm	inch	Code	BTU/hr	Watts	Code	BTU/hr	Watts	Code	BTU/hr	Watts
700mm 28"	400	16	Q11704PL	1332	390	Q21704PL	1981	580	Q22704PL	2679	785
	600	24	Q11706PL	1999	586	Q21706PL	2971	871	Q22706PL	4018	1177
	800	31	Q11708PL	2665	781	Q21708PL	3962	1161	Q22708PL	5357	1570
	1000	39	Q11710PL	3331	976	Q21710PL	4952	1451	Q22710PL	6696	1962
	1200	47	Q11712PL	3997	1171	Q21712PL	5943	1741	Q22712PL	8036	2354
	1400	55	Q11714PL	4664	1366	Q21714PL	6933	2031	Q22714PL	9375	2747

All outputs quoted are based on a Delta T of 50°C.