

LIGNA

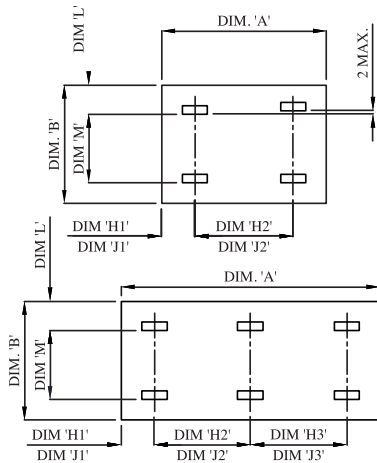
The Ligna radiator is a mid-way point between panel and design so you get all the features and benefits of the H₂O technology in our Hi-Lo radiators, with all the style and refinement of a design radiator. It's the perfect choice for those wanting the high outputs, water efficiency and flexible sizing of panel but wanting a modern, sleek profiled flat-fronted design.



Key performance features and benefits:

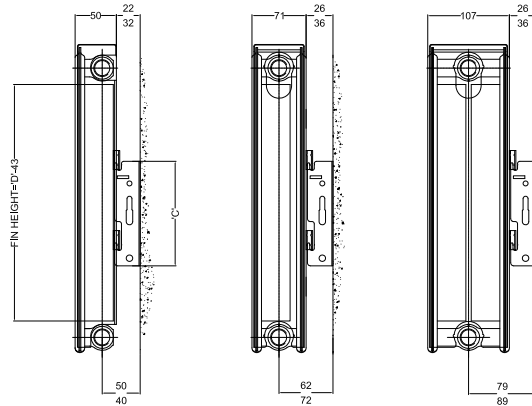


Actual Dimensions



Note: Dimensions H1, H2 and H3 refer to the lugs on Double Panel Plus and Double Convector radiators. Dimensions J1, J2 and J3 refer to the lugs on Single Convector Radiators.

Mounting Details



Single Convector

Double Panel Plus

Double Convector

Mounting Details				
Radiator Height 'B'	400	500	600	700
Bracket Lug Heights 'M'	205	305	405	505
Connection Centres 'D'	353	453	553	653
Bracket Length 'C'	237	337	437	537
Top of Radiator to bottom of top lug 'L'	110	110	110	110
Bracket to top of radiator	100	100	100	100

Bracket Lug Locations																
Radiator Length (mm)	300	400	500	600	700	800	900	1000	1100	1200	1300	1400	1500	1600	1800	2000
A	295	395	495	595	695	795	895	995	1095	1195	1295	1395	1495	1595	1795	1995
H1	72.5	122.5	122.5	122.5	122.5	122.5	122.5	122.5	122.5	122.5	122.5	122.5	122.5	122.5	122.5	122.5
J1	85	135	160	160	160	160	160	160	160	160	160	160	160	160	160	160
H2	150	150	250	350	450	550	650	750	850	950	1050	1150	1250	1350	775	875
J2	125	125	175	275	375	475	575	675	775	875	975	1075	1175	1275	750	850
H3															775	875
J3															725	825
Qty	4	4	4	4	4	4	4	4	4	4	4	4	4	4	6	6

Water Content				
Height	400mm (16")	500mm (20")	600mm (24")	700mm (28")
Litres/Metre				
Single Convector	2.24	2.67	3.10	3.53
Double Panel Plus	4.10	5.10	6.10	7.12
Double Convector	4.10	5.10	6.10	7.12

Radiator Dry Weight				
Height	400mm (16")	500mm (20")	600mm (24")	700mm (28")
kgs/Metre				
Single Convector	16.00	20.00	24.00	28.40
Double Panel Plus	23.60	29.20	34.80	40.80
Double Convector	28.00	34.80	42.00	49.20

All panel radiators can be produced in lengths of up to 3000mm long. Please contact the Sales Office for more information.



Nominal	Length		Single Convactor			Double Panel Plus			Double Convactor		
Height	mm	inch	Code	BTU/hr	Watts	Code	BTU/hr	Watts	Code	BTU/hr	Watts
400mm 16"	400	16	Q11404PH	863	253	Q21404PH	1275	374	Q22404PH	1712	502
	600	24	Q11406PH	1294	379	Q21406PH	1913	560	Q22406PH	2568	752
	800	31	Q11408PH	1726	506	Q21408PH	2550	747	Q22408PH	3424	1003
	1000	39	Q11410PH	2157	632	Q21410PH	3188	934	Q22410PH	4280	1254
	1200	47	Q11412PH	2588	758	Q21412PH	3825	1121	Q22412PH	5136	1505
	1400	55	Q11414PH	3020	885	Q21414PH	4463	1308	Q22414PH	5992	1756
	1600	63	Q11416PH	3451	1011	Q21416PH	5100	1494	Q22416PH	6848	2006
	1800	71	Q11418PH	3883	1138	Q21418PH	5738	1681	Q22418PH	7704	2257
2000	79	Q11420PH	4314	1264	Q21420PH	6375	1868	Q22420PH	8560	2508	

Nominal	Length		Single Convactor			Double Panel Plus			Double Convactor		
Height	mm	inch	Code	BTU/hr	Watts	Code	BTU/hr	Watts	Code	BTU/hr	Watts
500mm 20"	400	16	Q11504PH	1023	300	Q21504PH	1526	447	Q22504PH	2053	602
	600	24	Q11506PH	1534	449	Q21506PH	2289	671	Q22506PH	3080	902
	800	31	Q11508PH	2045	599	Q21508PH	3053	894	Q22508PH	4107	1203
	1000	39	Q11510PH	2556	749	Q21510PH	3816	1118	Q22510PH	5133	1504
	1200	47	Q11512PH	3068	899	Q21512PH	4579	1342	Q22512PH	6160	1805
	1400	55	Q11514PH	3579	1049	Q21514PH	5342	1565	Q22514PH	7186	2106
	1600	63	Q11516PH	4090	1198	Q21516PH	6105	1789	Q22516PH	8213	2406
	2000	79	Q11520PH	5113	1498	Q21520PH	7631	2236	Q22520PH	10266	3008

All outputs quoted are based on a Delta T of 50°C.



Nominal Height	Length		Single Convector			Double Panel Plus			Double Convector		
	mm	inch	Code	BTU/hr	Watts	Code	BTU/hr	Watts	Code	BTU/hr	Watts
600mm 24"	400	16	Q11604PH	1180	346	Q21604PH	1761	516	Q22604PH	2374	696
	600	24	Q11606PH	1769	518	Q21606PH	2642	774	Q22606PH	3561	1043
	800	31	Q11608PH	2359	691	Q21608PH	3522	1032	Q22608PH	4748	1391
	1000	39	Q11610PH	2949	864	Q21610PH	4403	1290	Q22610PH	5935	1739
	1200	47	Q11612PH	3539	1037	Q21612PH	5283	1548	Q22612PH	7122	2087
	1400	55	Q11614PH	4128	1210	Q21614PH	6164	1806	Q22614PH	8309	2435
	1600	63	Q11616PH	4718	1382	Q21616PH	7044	2064	Q22616PH	9496	2782
	1800	71	Q11618PH	5308	1555	Q21618PH	7925	2322	Q22618PH	10683	3130
	2000	79	Q11620PH	5898	1728	Q21620PH	8806	2580	Q22620PH	11870	3478

Nominal Height	Length		Single Convector			Double Panel Plus			Double Convector		
	mm	inch	Code	BTU/hr	Watts	Code	BTU/hr	Watts	Code	BTU/hr	Watts
700mm 28"	400	16	Q11704PH	1332	390	Q21704PH	1981	580	Q22704PH	2679	785
	600	24	Q11706PH	1999	586	Q21706PH	2971	871	Q22706PH	4018	1177
	800	31	Q11708PH	2665	781	Q21708PH	3962	1161	Q22708PH	5357	1570
	1000	39	Q11710PH	3331	976	Q21710PH	4952	1451	Q22710PH	6696	1962
	1200	47	Q11712PH	3997	1171	Q21712PH	5943	1741	Q22712PH	8036	2354
	1400	55	Q11714PH	4664	1366	Q21714PH	6933	2031	Q22714PH	9375	2747

All outputs quoted are based on a Delta T of 50°C.