

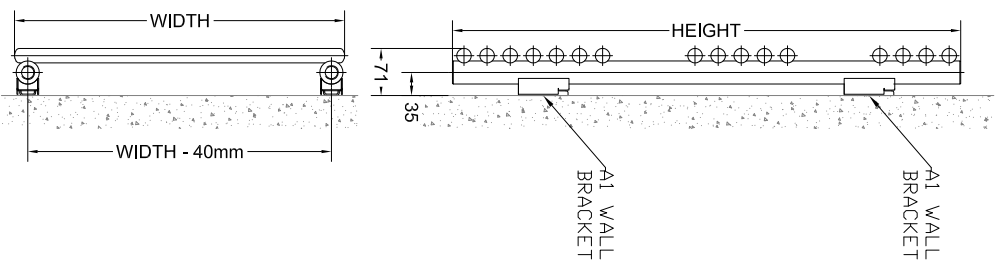
# TOWEL RAIL RADIATOR

INSTALLATION DETAILS FOR 22MM TUBE TOWEL RADIATORS

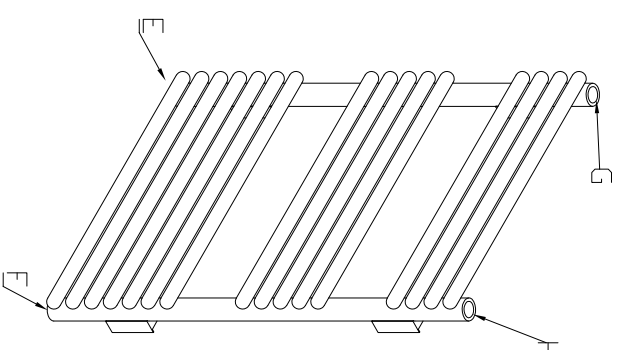
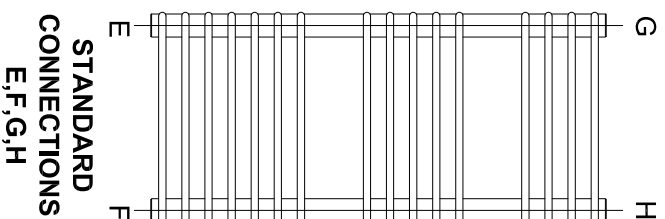
## INSTALLATION INSTRUCTION:

Ensure the installation and commissioning of the radiator is carried out in accordance with BS EN 14336 : 2004. Use of a rust inhibitor is highly recommended. Failure to comply with BS 7593:2006 which encourages the use of a rust inhibitor to minimize likelihood of corrosion, may result in invalidation of manufacturers warranty.

## 22mm Tube Towel



## CONNECTION DETAILS



## IMPORTANT NOTE:

A. ENSURE THERE IS NO TRAPPED AIR IN THE RADIATOR BY ADEQUATELY BLEEDING THE SYSTEM DURING INSTALLATION.

B. ENSURE THE SYSTEM FLOW RATE IS AS RECOMMENDED BY QUINN MERRIOTT RADIATORS

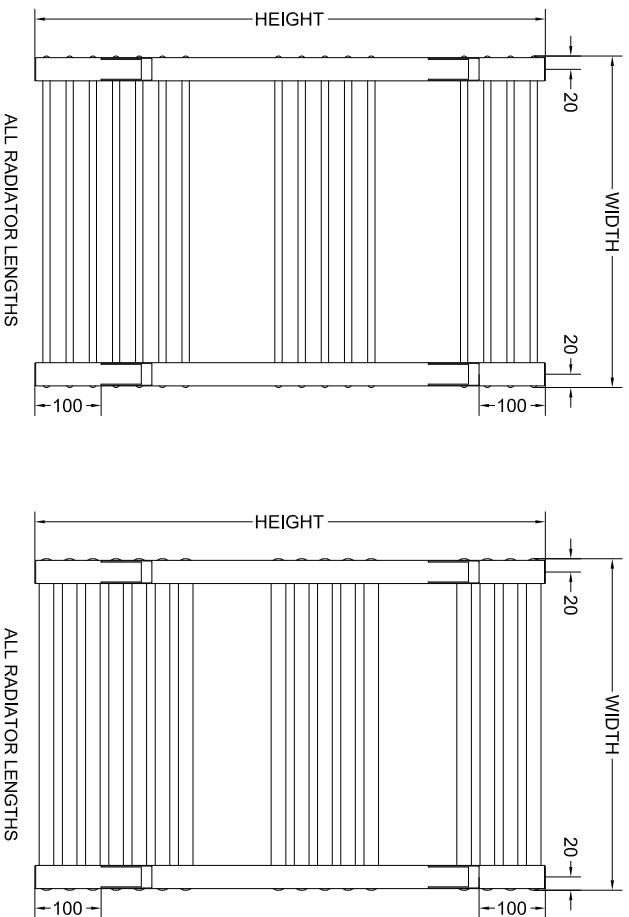
## BRACKET MOUNTING AND PIPE CENTRE DETAILS

ALL DIMENSIONS ARE IN MILLIMETERS

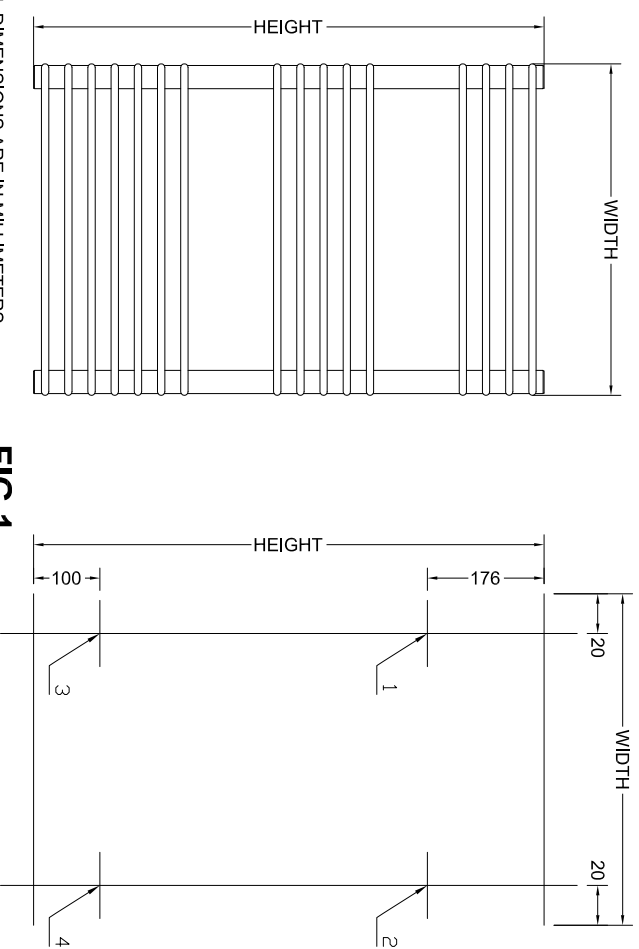
# TOWEL RAIL RADIATOR

INSTALLATION DETAILS FOR 22MM TUBE TOWEL RADIATORS

## RADIATOR LOCATION ON WALL FOR TOWEL RAILS



## MOUNTING LUG LOCATIONS



ALL DIMENSIONS ARE IN MILLIMETERS

FIG.1

## BRACKET LOCATION ON WALL

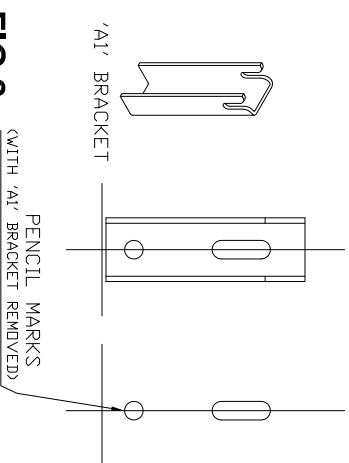


FIG.2

1. Choose the location where you wish to install the towel rail and mark the positions for the wall brackets with a pencil as indicated in Fig.1
2. Measure the width & height as indicated in Fig.1
3. Place the wall brackets over the pencil marks on the wall as show by points 1, 2, 3 & 4 in Fig.1 and mark the positions of the wall plugs and screws, as indicated in Fig.2.
4. Drill the necessary holes in the wall and install the wall brackets using two 55mm x No. 12 screws in each bracket.
5. Note: Radiator does not come with wall fixing screws
6. Fit air vents/drains.
7. Mount the radiator up on the wall brackets.
8. Connect the water supply via the shut off valve.
8. The return line of the central heating system is connected to the opposite side of the radiator via the lockshield valve.
10. Fill the radiator and purge the air from the radiator using the air vent if required.