

FEATURE PANEL RADIATOR

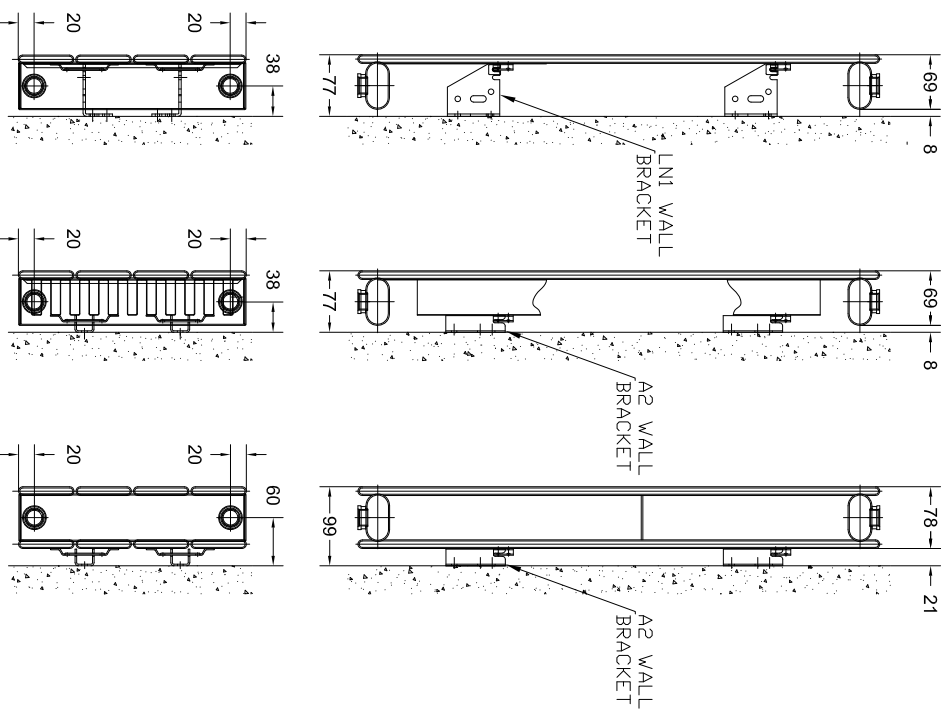
INSTALLATION DETAILS FOR SINGLE AND DOUBLE VERTICAL PANEL RADIATORS

INSTALLATION INSTRUCTION:

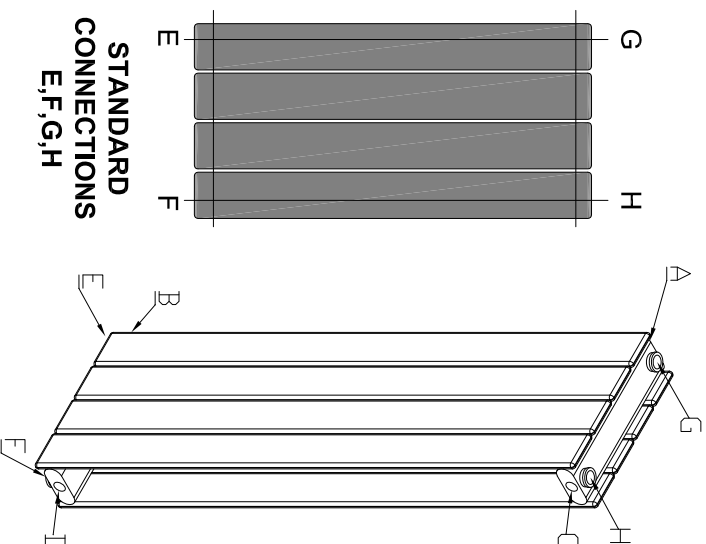
Ensure the installation and commissioning of the radiator is carried out in accordance with BS EN 14336 : 2004.

Use of a rust inhibitor is highly recommended. Failure to comply with BS 7593:2006 which encourages the use of a rust inhibitor to minimize likelihood of corrosion, may result in invalidation of manufacturers warranty.

V10 V11 V20



CONNECTION DETAILS



IMPORTANT NOTE:

- A. THE HEADER WITH THE FLOW/RETURN CONNECTIONS CONTAINS A BAFFLE AND IS IDENTIFIED BY A STICKER ON RIGHT.
- B. CONNECTIONS IN THE OPPOSITE HEADER ARE TO BE USED AS VENTS OR DRAINS DEPENDING ON THE ORIENTATION OF THE RADIATOR.
- C. ENSURE THERE IS NO TRAPPED AIR IN THE RADIATOR BY ADEQUATELY BLEEDING THE SYSTEM DURING INSTALLATION.
- D. ENSURE THE SYSTEM FLOW RATE IS AS RECOMMENDED FOR THE PANEL RADIATOR



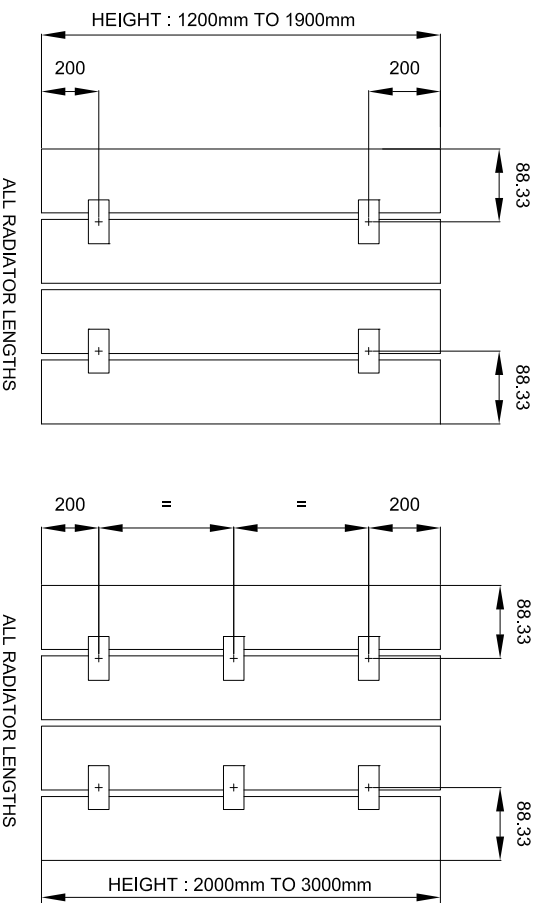
BRACKET MOUNTING AND PIPE CENTRE DETAILS VERTICAL PANEL RADIATORS

ALL DIMENSIONS ARE IN MILLIMETERS

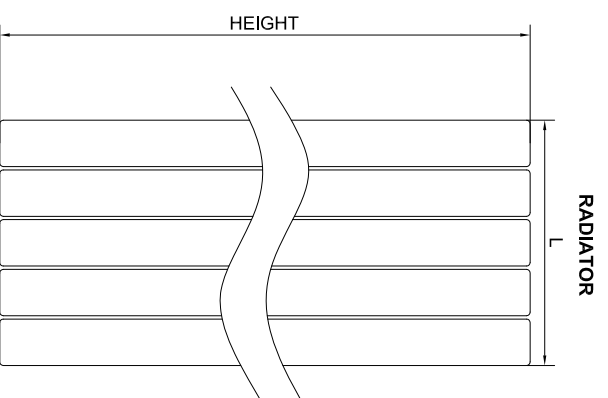
FEATURE PANEL RADIATOR

INSTALLATION DETAILS FOR SINGLE AND DOUBLE VERTICAL PANEL RADIATORS

RADIATOR LOCATION ON WALL FOR VERTICAL PANEL RADIATORS



MOUNTING LUG LOCATIONS



WALL MARKINGS

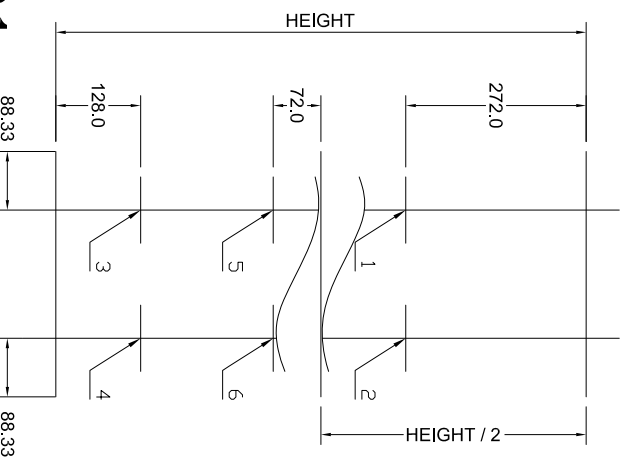


FIG.1

ALL DIMENSIONS ARE IN MILLIMETERS

BRACKET LOCATION ON WALL

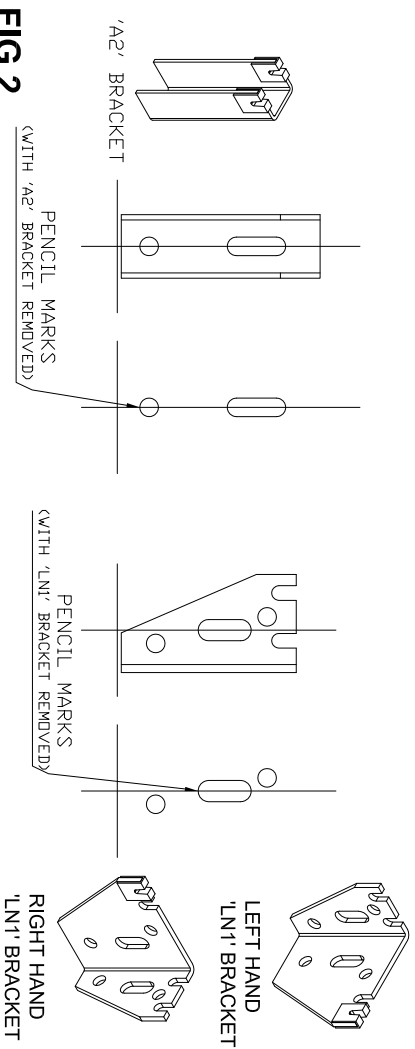


FIG.2

1. Choose the location where you wish to install the radiator and mark the positions for the wall brackets with a pencil as indicated in Fig.1
2. Measure the length 'L' & height as indicated in Fig.1
3. Place the wall brackets over the pencil marks on the wall as show by points 1, 2, 3, 4, 5 & 6 in Fig.1 and mark the positions of the wall plugs and screws, as indicated in Fig.2 please note points 5 & 6 are only on radiators over 1900mm high.
4. Drill the necessary holes in the wall and install the wall brackets using two 55mm x No. 12 screws in each bracket.
5. Note: The Radiators does not come with wall fixing screws
6. Fit air vents/drains.
7. Mount the radiator up on the wall brackets.
8. Connect the water supply via the shut off valve.
8. The return line of the central heating system is connected to the opposite side of the radiator via the lockshield valve.
10. Fill the radiator and purge the air from the radiator using the air vent if required.